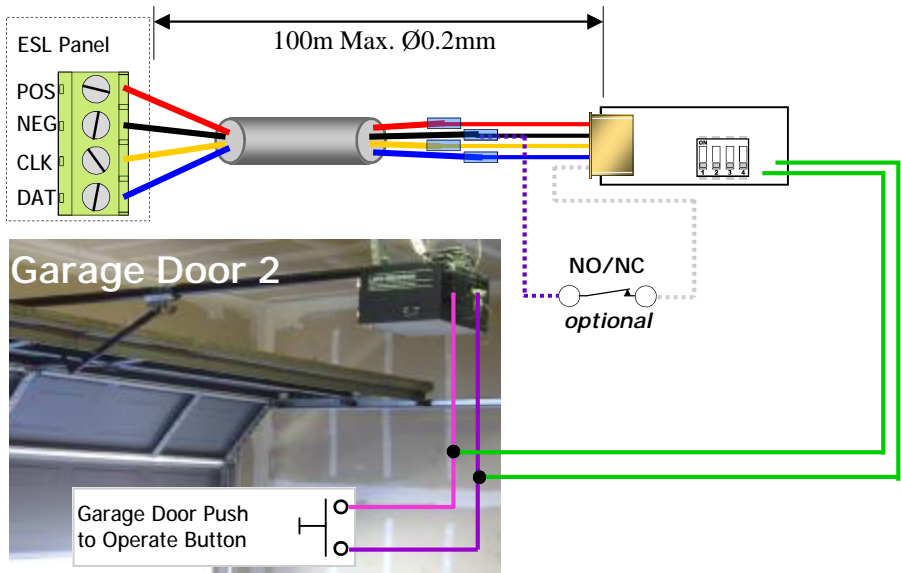
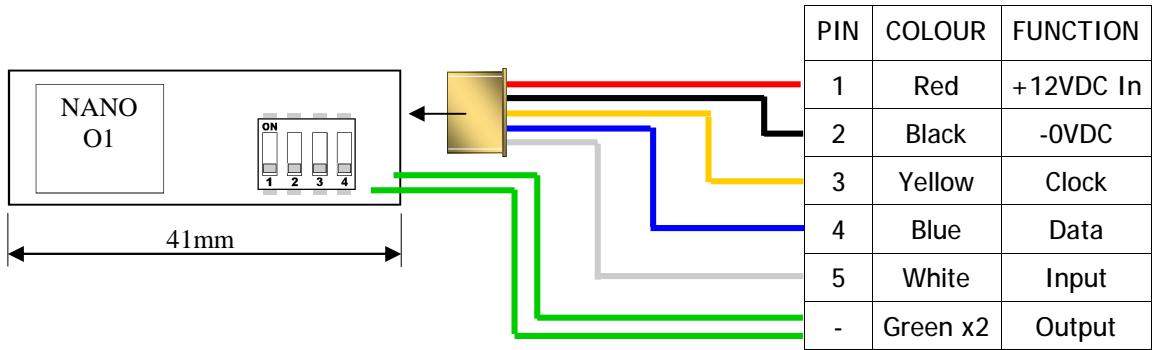


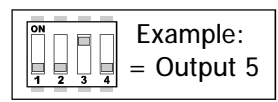
# NANO-O1 INSTRUCTIONS

Single output expander module for ESL system.

This module wires directly onto the ESL keypad bus. It features a single clean normally open contact, rated to 30VDC 100mA, making this device ideal from controlling garage doors and gate controllers.



Follow	Dip 1	Dip 2	Dip3
Out 1	off	off	off
Out 2	on	off	off
Out 3	off	on	off
Out 4	on	on	off
Out 5	off	off	on
Out 6	on	off	on
Out 7	off	on	on
Out 8	on	on	on

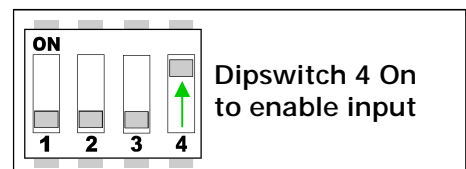


## Learning Optional Input

For the Input of a NANO-O1 to work on the Elite system, you need to learn it in to a user slot. This is done at address 18. In Installer mode press <PROGRAM> <18> <ENTER> then choose the user slot <21-100> and <ENTER><ENTER>, trigger the device. (this should stop the keypad beeping.)  
i.e. P 18 E 30 E E (device is now learnt in to user 30).



The User Slot can then be configure to, Trigger an output, Arm/Disarm, Panic Alarm. Please see the full programming manual for more information. [www.aap.co.nz](http://www.aap.co.nz)



ARROWHEAD ALARM PRODUCTS Ltd.  
344b Rosedale Rd, Albany,  
Auckland. New Zealand  
Ph. 09 414 0085  
[www.aap.co.nz](http://www.aap.co.nz)  
v1.00